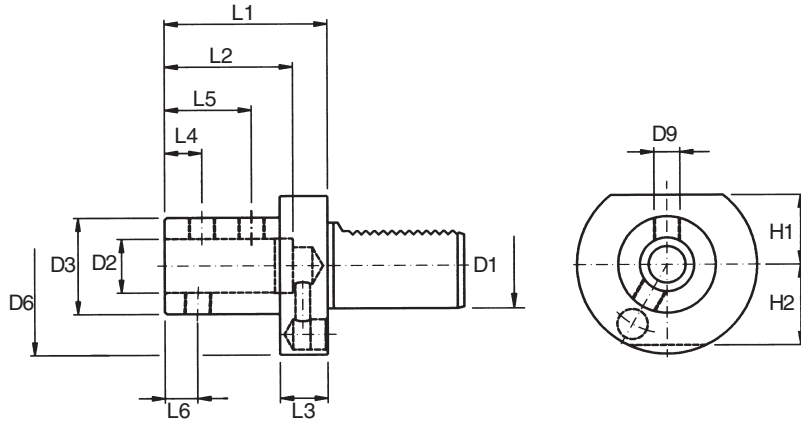




VDI

TOOL HOLDER FOR CARBIDE INDEXABLE DRILL, FORM E1
with internal coolant supply



| EA PART NUMBER | D1 | D2 H6 | DIN-DESIGNATION | D3 | D6 | H1 | H2 | L1 -0.2 | L2 | L3 | L4 | L5 | L6 |
|----------------|----|----------|-----------------|----|-----|------|------|------------|----|----|----|------|------|
| E221.048.250 | 20 | 5/8 | E1-20 | 36 | 50 | 23 | 23 | 64 | 51 | 18 | 17 | ---- | 17 |
| E221.050.250 | 20 | 3/4 | E1-20 | 40 | 50 | 23 | 23 | 67 | 54 | 18 | 15 | 35 | 13 |
| E221.052.250 | 20 | 1 | E1-20 | 45 | 50 | 23 | 23 | 71 | 59 | 18 | 17 | 40 | 17 |
| E227.048.250 | 25 | 5/8 | E1-25 | 36 | 58 | 25 | 25 | 67 | 54 | 18 | 15 | 35 | 17 |
| E227.050.250 | 25 | 3/4 | E1-25 | 40 | 58 | 25 | 25 | 67 | 54 | 18 | 15 | 35 | 13 |
| E227.052.250 | 25 | 1 | E1-25 | 45 | 58 | 25 | 25 | 71 | 59 | 18 | 17 | 40 | 17 |
| E222.048.250 | 30 | 5/8 | E1-30 | 36 | 68 | 28 | 30 | 64 | 51 | 22 | 17 | ---- | 17 |
| E222.050.250 | 30 | 3/4 | E1-30 | 40 | 68 | 28 | 30 | 67 | 54 | 22 | 15 | 35 | 13 |
| E222.052.250 | 30 | 1 | E1-30 | 45 | 68 | 28 | 30 | 71 | 59 | 22 | 17 | 40 | 15 |
| E222.055.250 | 30 | 1-1/4 | E1-30 | 52 | 68 | 28 | 30 | 75 | 63 | 22 | 17 | 44 | 16 |
| E222.060.250 | 30 | 1-1/2 | E1-30 | 60 | 68 | 28 | 30 | 87 | 73 | 22 | 22 | 50 | 17 |
| E223.048.250 | 40 | 5/8 | E1-40 | 36 | 83 | 32.5 | ---- | 64 | 51 | 22 | 17 | ---- | 17 |
| E223.050.250 | 40 | 3/4 | E1-40 | 40 | 83 | 32.5 | ---- | 67 | 54 | 22 | 15 | 35 | 13 |
| E223.052.250 | 40 | 1 | E1-40 | 45 | 83 | 32.5 | ---- | 75 | 59 | 22 | 17 | 40 | 15 |
| E223.055.250 | 40 | 1-1/4 | E1-40 | 52 | 83 | 32.5 | ---- | 75 | 63 | 22 | 17 | 44 | 16 |
| E223.060.250 | 40 | 1-1/2 | E1-40 | 60 | 83 | 32.5 | ---- | 90 | 73 | 22 | 22 | 50 | 17 |
| E224.050.250 | 50 | 3/4 | E1-50 | 40 | 98 | 35 | ---- | 67 | 54 | 30 | 15 | 35 | 13 |
| E224.052.250 | 50 | 1 | E1-50 | 45 | 98 | 35 | ---- | 80 | 59 | 30 | 17 | 40 | 15 |
| E224.055.250 | 50 | 1-1/4 | E1-50 | 52 | 98 | 35 | ---- | 80 | 63 | 30 | 17 | 44 | 16 |
| E224.060.250 | 50 | 1-1/2 | E1-50 | 60 | 98 | 35 | ---- | 90 | 73 | 30 | 22 | 50 | 17 |
| E224.065.250 | 50 | 2 | E1-50 | 70 | 98 | 35 | ---- | 100 | 83 | 30 | 24 | 60 | ---- |
| E225.050.250 | 60 | 3/4 | E1-60 | 40 | 123 | 42.5 | ---- | 80 | 54 | 30 | 15 | 35 | 13 |
| E225.052.250 | 60 | 1 | E1-60 | 45 | 123 | 42.5 | ---- | 80 | 59 | 30 | 17 | 40 | 15 |
| E225.055.250 | 60 | 1-1/4 | E1-60 | 52 | 123 | 42.5 | ---- | 80 | 63 | 30 | 17 | 44 | 16 |
| E225.060.250 | 60 | 1-1/2 | E1-60 | 60 | 123 | 42.5 | ---- | 90 | 73 | 30 | 22 | 50 | 17 |
| E225.065.250 | 60 | 2 | E1-60 | 70 | 123 | 42.5 | ---- | 100 | 83 | 30 | 24 | 60 | ---- |