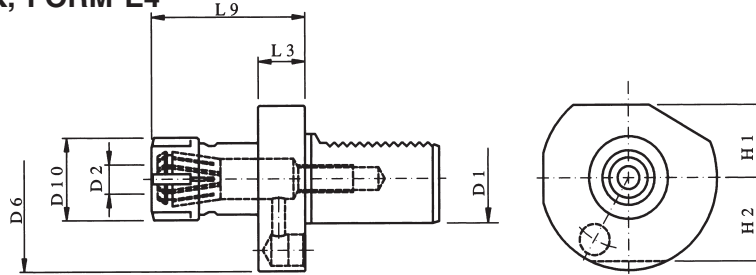




VDI

COLLET CHUCK, FORM E4 ER / SCHAUBLIN



EA PART NUMBER	D1	D2	DIN-DESIGNATION	D6	D10 MAX.	H1	H2	L3	L9 MAX.	COLLETS
E220.000.150	16	0.5-10	E4-16x16	40	28	18	18	14	45.5	ER 16
E220.000.220	16	1-13	E4-16x20	40	34	18	18	14	44	ER 20
E221.040.090	20	1-16	E4-20x25	50	42	23	23	18	57	ER 25
E221.035.220	20	2-20	E4-20x32	50	50	23	23	18	62	ER 32
E227.040.090	25	1-16	E4-25x25	58	42	25	25	18	57	ER 25
E227.035.220	25	2-20	E4-25x32	58	50	25	25	18	62	ER 32
E222.040.090	30	1-16	E4-30x25	68	42	28	30	22	57	ER 25
E222.035.220	30	2-20	E4-30x32	68	50	28	30	22	75	ER 32
E223.040.090	40	1-16	E4-40x25	83	42	32.5	----	22	63	ER 25
E223.035.220	40	2-20	E4-40x32	83	50	32.5	----	22	75	ER 32
E223.045.220	40	3-26	E4-40x40	83	63	32.5	----	22	75	ER 40
E224.035.220	50	2-20	E4-50x32	94	50	35	----	30	75	ER 32
E224.045.220	50	3-26	E4-50x40	94	63	35	----	30	63	ER 40
E225.045.220	60	3-26	E4-60x40	123	63	42.5	----	30	75	ER 40

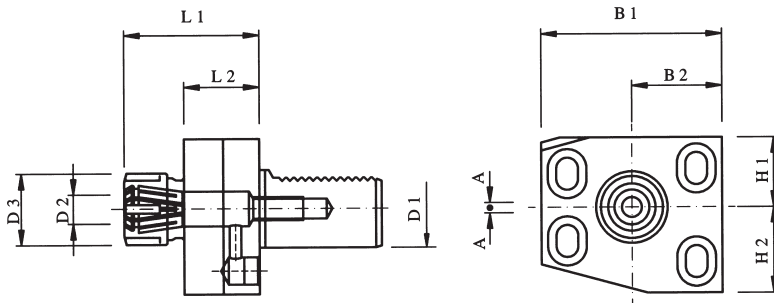
Coolant supply thru collet.

Purchase sealed collet separately for tool requiring thru coolant.

COLLET CHUCK

ER/Schaublin

with height adjustment facility



EA PART NUMBER	D1	D2	DIN-DESIGNATION	D3	H1	H2	B1	B2	L1	L2	A	COLLETS
*E231.110.090	20	1-16	----	42	24	29	55	30	70	----	2	ER 25
*E237.110.090	25	1-16	----	42	24	29	55	30	70	----	2	ER 25
E232.110.090	30	1-16	----	42	27	31	35	35	56	30	2	ER 25
*E233.110.090	40	2-20	----	50	31	47	85	42.5	80	----	2	ER 32

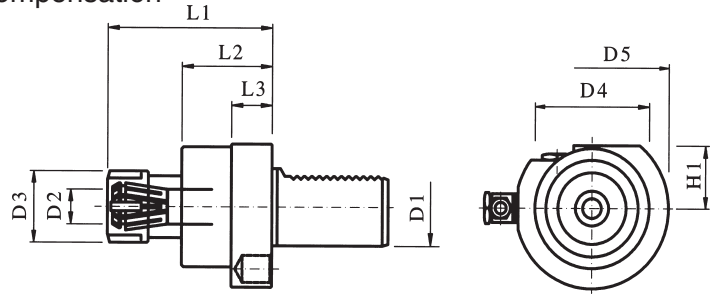
Coolant supply thru collet.

Purchase sealed collet separately for tool requiring thru coolant

* Drawing not correspondent with tool.

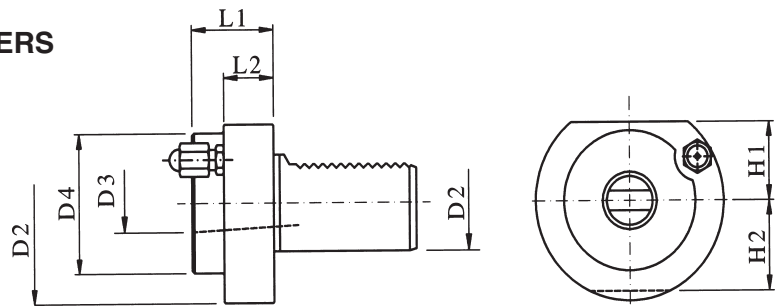
COLLET CHUCK

with tension and traction compensation



EA PART NUMBER	D1	D2	D3	D4	D5	H1	L1	L2	L3	COLLETS	TENSION / TRACTION COMP.
E221.390.220	20	0.5-10	28	45	50	23	65	40	18	ER16	6 / 1.5
E227.390.220	25	0.5-10	28	45	50	23	65	40	18	ER16	6 / 1.5
E222.390.220	30	1-16	42	62	68	28	90	54	22	ER25	8 / 2
E223.390.220	40	1-16	42	62	83	32.5	85	49	22	ER25	8 / 2
E224.390.220	50	1-16	42	62	98	35	85	49	22	ER25	8 / 2

MORSE TAPER HOLDERS



EA PART NUMBER	D1	(D3) MT	DIN DESIGNATION	D2	D4	H1	H2	L1	L2
E201.125.150	20	1	F20-MK-DK1	50	----	23	23	23	----
E201.130.220	20	2	F20-MK-DK2	50	----	23	23	87	----
E207.125.220	25	1	F25-MK-DK1	58	----	25	25	23	----
E207.130.150	25	2	F25-MK-DK2	58	----	25	25	27	----
E202.125.150	30	1	F30-MK-DK1	68	----	28	30	27	----
E202.130.150	30	2	F30-MK-DK2	68	----	28	30	27	----
E202.135.220	30	3	F30-MK-DK3	68	58	28	30	55	40
E203.130.150	40	2	F40-MK-DK2	83	55	32.5	----	36	22
E203.135.150	40	3	F40-MK-DK3	83	58	32.5	----	36	22
E203.140.150	40	4	F40-MK-DK4	83	68	32.5	----	80	22
E204.130.150	50	2	F50-MK-DK2	98	55	35	----	36	30
E204.135.150	50	3	F50-MK-DK3	98	58	35	----	36	30
E204.140.150	50	4	F50-MK-DK4	98	68	35	----	50	30
E205.130.220	60	2	F60-MK-DK2	123	55	42.5	----	36	30
E205.135.150	60	3	F60-MK-DK3	123	58	42.5	----	36	30
E205.140.150	60	4	F60-MK-DK4	123	68	42.5	----	50	30
E205.145.150	60	5	F60-MK-DK5	123	98	42.5	----	63	30