

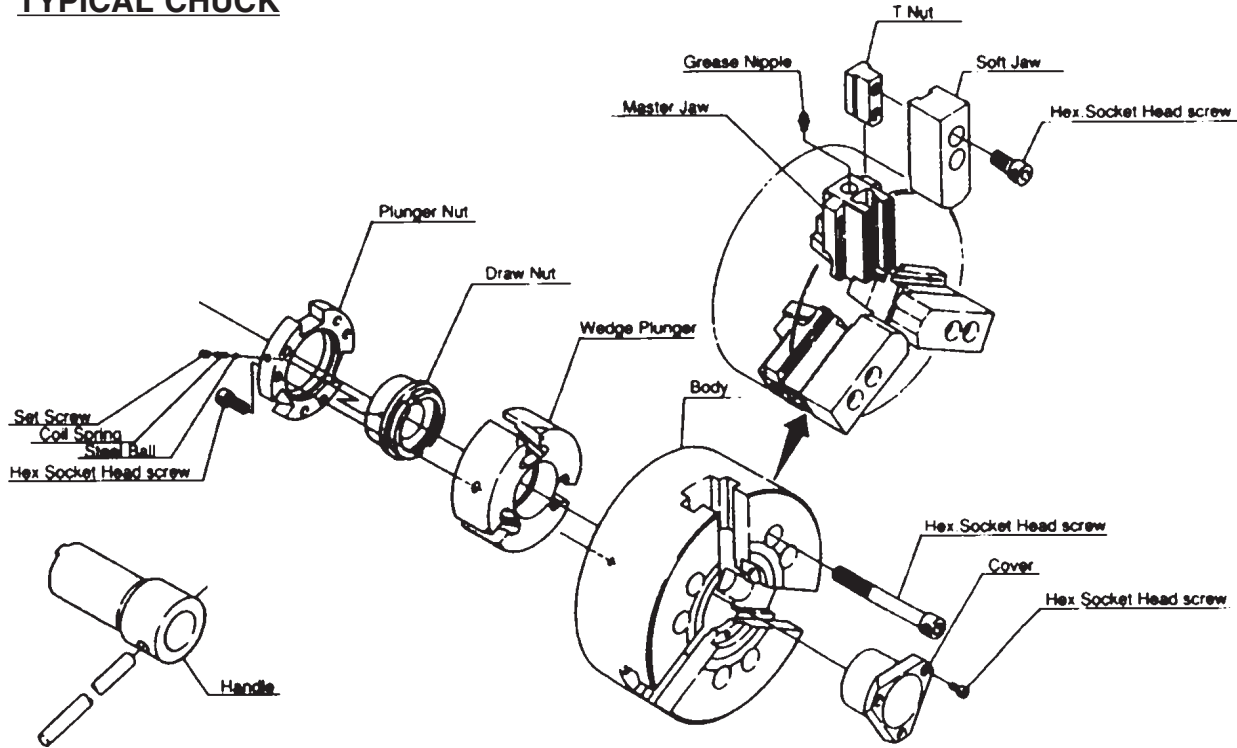


EDWARD ANDREWS INTERNATIONAL

"Tooling and Workholding Specialist in the Metal Cutting Industry"

STERLING HEIGHTS, MICHIGAN

TYPICAL CHUCK



TYPICAL CYLINDER

